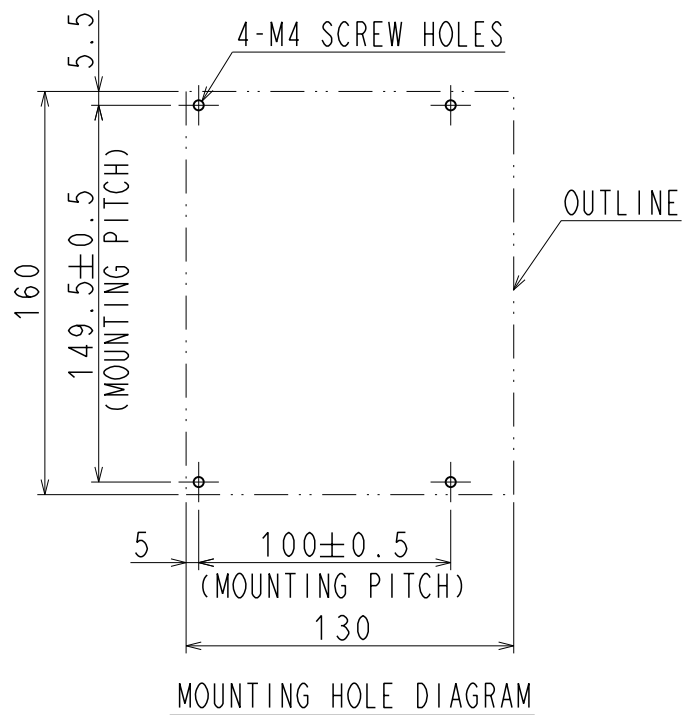
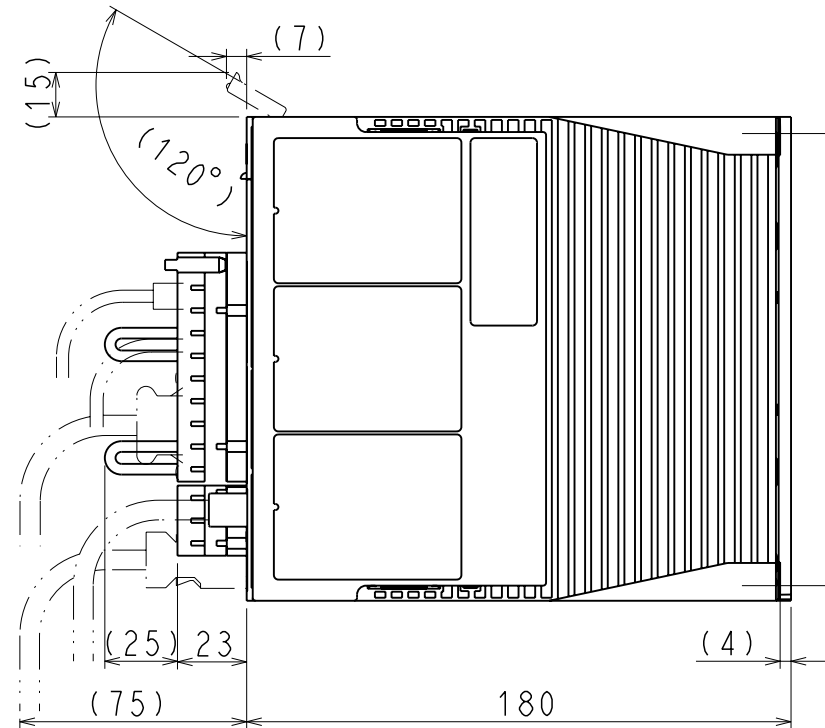
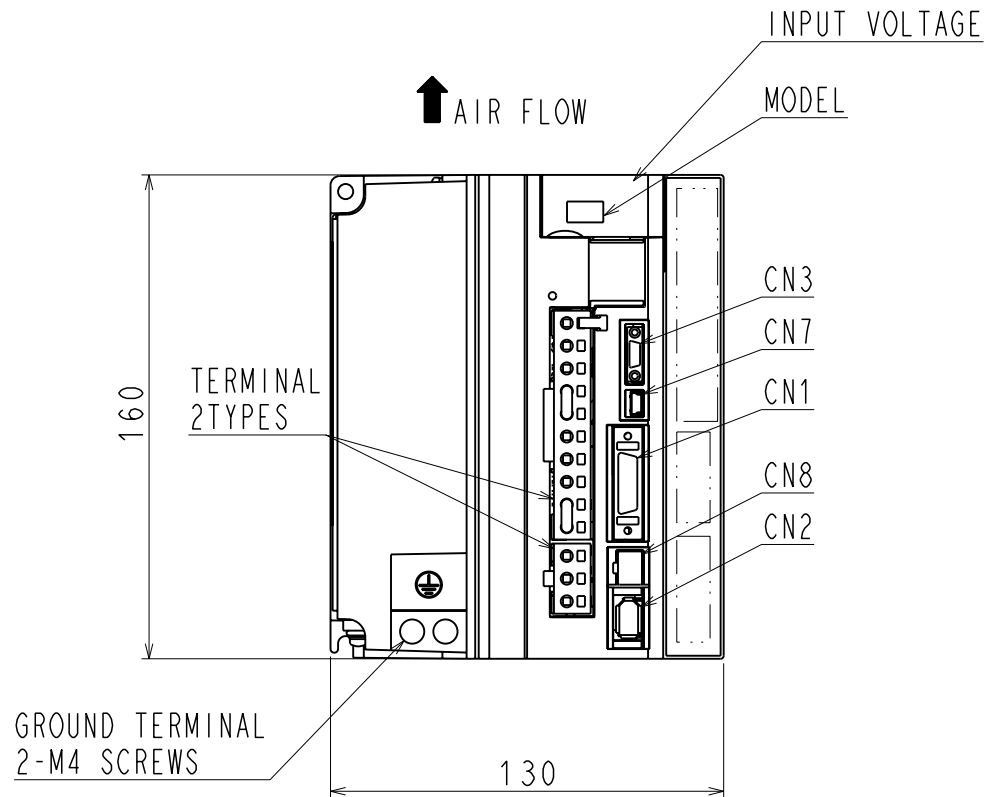
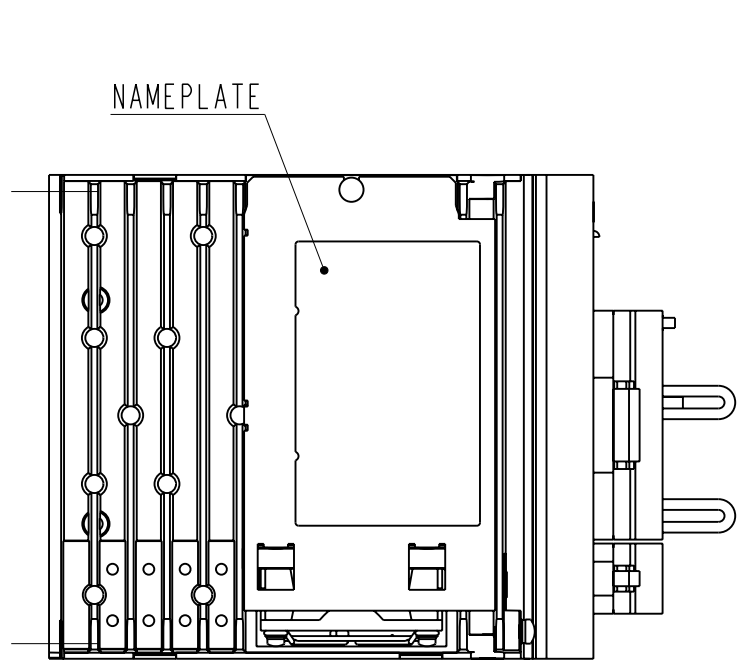


DWG. NO. 900-048-857-2/2

(NOTE1) This drawing is the base-mounted type.  
 (NOTE2) Refer to the USER'S MANUAL for standard for installation.  
 (NOTE3) Refer to the another drawing for the outline of the option unit.

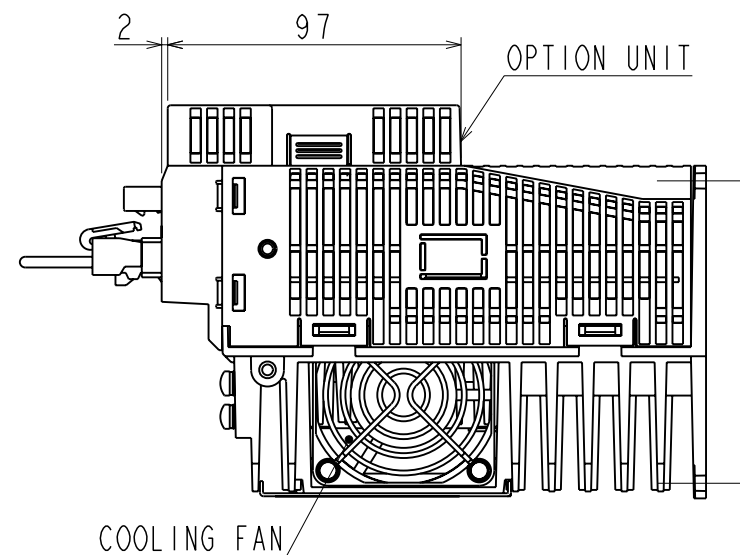
A  
B  
C  
D  
E  
F

A  
B  
C  
D  
E  
F



PART No.	MODEL	NUMBER OF CONTACTS	MANUFACTURER
CN1	10226-52A2PL	26	SUMITOMO 3M LIMITED
CN2	53984-0671	6	MOLEX JAPAN CO.,LTD.
CN3	HDR-EC14LFDN-SLE-PLUS	14	HONDA TSUSHIN KOGYO CO.,LTD.
CN7	MNC23-5K5H00	5	ADVANCED-CONNECTEK INC.
CN8	1981080-1	8	Tyco Electronics AMP K.K.

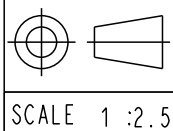
The above or the equivalent is used.



DIMENSION in mm  
APPROX. MASS: 2.7kg

Remove mass of the option unit.

REFERENCE ONLY



TITLE OUTLINE DRAWING OF SERVOPACK  
 SGD V1R9/3R5/5R4□□A\*  
 (□□:E1, E5)(\*:OPTION CODE)

DWG. NO.

900-048-857

REV.

2/2

SIZE A3

F

F

1

2

3

6

7

8